

# EMPIRE 15

( INTEGRATED/UNDERBUILD )



## product information

productcode: B0951LBP08UDS

cabinet: 60 cm

depth: 160/130 mm

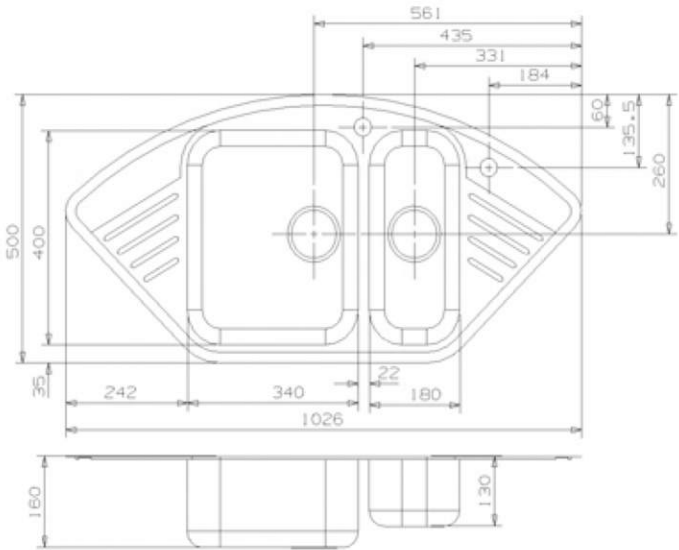


[www.reginox.com](http://www.reginox.com)

No rights can be derived from the information and drawings contained in this leaflet, which have been drawn up with the gre

# EMPIRE 15

( INTEGRATED/UNDERBUILD )



datum: 17-01-2007

